



High Performance Windows & Doorsets in Timber and Aluminium Clad Timber

DreamVu™, designed for the UK market with its traditional design and using the latest window and doorset technology. This range breaks new ground in volume produced, mass availability joinery at prices to reflect JELD-WEN's highly competitive position in the market.

Designed to offer architects and developers a solution to meet the requirements for the Code for Sustainable Homes using a market leading UK manufacturer. It also gives the self-builder an environmentally friendly energy saving solution to fit their design requirements.

This range is designed to be made to specification, with a wide range of glazing options, giving high thermal and acoustic performance.

All Timber & Aluminium Clad Windows

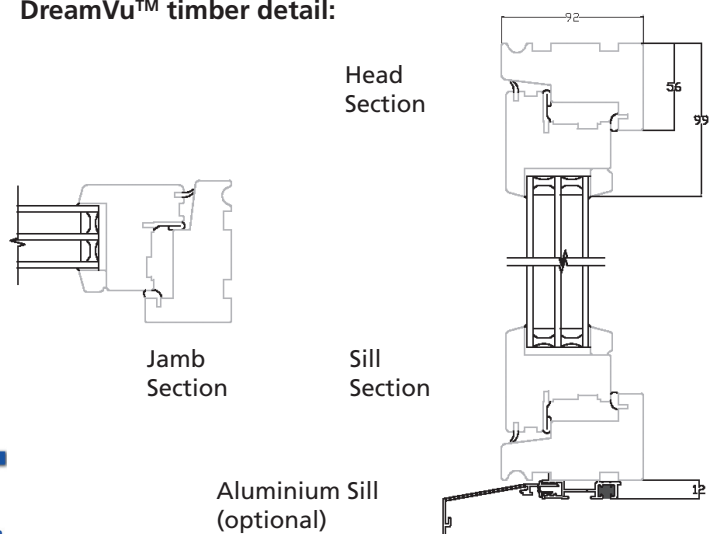
- Chain of custody certified sustainable timber
- PEFC engineered laminated softwood frame
- Flush sash design to all timber
- Aluminium clad timber option - externally aluminium clad with any RAL colour available
- Internally beaded sash
- 24mm - 36mm insulated glazing unit capability, with range of gas filled options dependent on whole window *U* value required
- Optional aluminium sill available in 3 sizes
- Side or top hung sashes fitted with projecting hinges
- Fixed sashes or direct glazed area option
- Yale ironmongery fitted, available in chrome effect, gold effect or white



Performance:

- *U* value range from 2.0-0.7W/m²K
- Exposure rating 2000pa
- Air permeability Class 4
- Tested to BS6375 : Part 1:2004 Performance of windows and doors
- Tested to BS6375 : Part 2:1987 Operation and strength performance
- Tested to Secured by Design scheme standards - BS7950 certification held
- Acoustic performance available to 40dB Rw

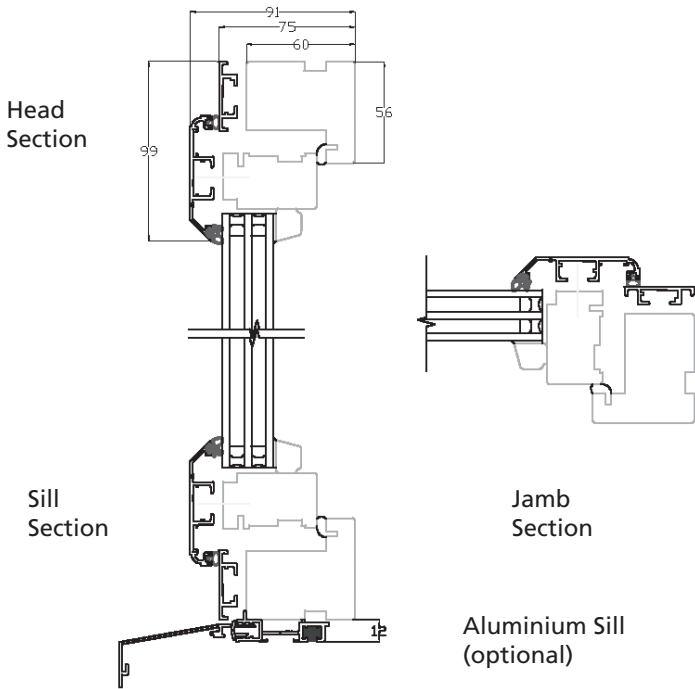
DreamVu™ timber detail:



RELIABILITY for real life®

JELD-WEN
WINDOWS & DOORS

DreamVu™ aluminium clad timber detail:



Doorsets

To complement the DreamVu™ window range, JELD-WEN also offers a range of doorsets, both in timber and aluminium clad timber with similarly high levels of performance and low U values.

Generally these products are tested and certified to both PAS23 and PAS24 and achieve U values down to $1.0W/m^2K$, dependent on glass specification.

In addition, french casement pairs of doors with combined side lights are also available, all matching the DreamVu™ window range. Letter plates are not recommended as these compromise the air tightness of the building. Separate provision should be made for mail deliveries.

Timber Window U value	IGU CP U value	Glass Specification	Ventilation
0.7	0.5	Triple glazed (inert gas filled)	Air tight, unvented
0.8	0.5	Triple glazed (inert gas filled)	Air tight, unvented
0.9	0.7	Triple glazed (inert gas filled)	Air tight, unvented
1.1	0.9	Triple glazed (inert gas filled)	4000mm ² upto 915mm W, 8000mm ² above
1.3	1.2	Double glazed (inert gas filled)	as above
1.5	1.4	Double glazed (argon filled)	as above
1.6/1.7	1.6	Double glazed (air filled)	as above
1.8/2.0	1.6	Double glazed (air filled)	as above

6 YEAR GUARANTEE 6 year guarantee on hi-build stain

10 YEAR GUARANTEE 10 year guarantee against manufacturing defects and hi-build factory painted external joinery in accordance with EN 927/1-7, plus 10 year guarantee on insulating glass units

30 YEAR GUARANTEE 30 year guarantee against rot and fungal attack on all external timber components, and aluminium external clad finish



WOOD. AT THE HEART OF A GOOD WINDOW
The Wood Window Alliance

JELD-WEN UK Ltd.

Snow Hill, Melton Mowbray, Leicester LE13 1PD.

T: 01664 484 500 | F: 01664 484 502 | E: dreamvu@jeld-wen.co.uk

Visit us at: www.jeld-wen.co.uk

JELD-WEN
WINDOWS & DOORS