

# FITTING INSTRUCTIONS FLAT ENTRANCE INTERNAL DOORSET WITH A TOP LIGHT



**CAUTION SAFETY NOTE:** This product needs to be installed by a competent trades-person with assistance. Two people are required to carry out the installation, as some components are heavy. The outer frame requires fixing to the supporting structure above the opening. The opening **MUST** be capable of carrying the load of the doorset in all conditions.

**PLEASE NOTE:** Prior to installing this doorset, inspect for damage and do not proceed to fit if any damage or defect is evident. This doorset should be stored in a dry flat location before installation.

**Note** – All the parts you need are included in the pack. Check for any defects or missing items before you start to assemble.

## TOOLS REQUIRED:

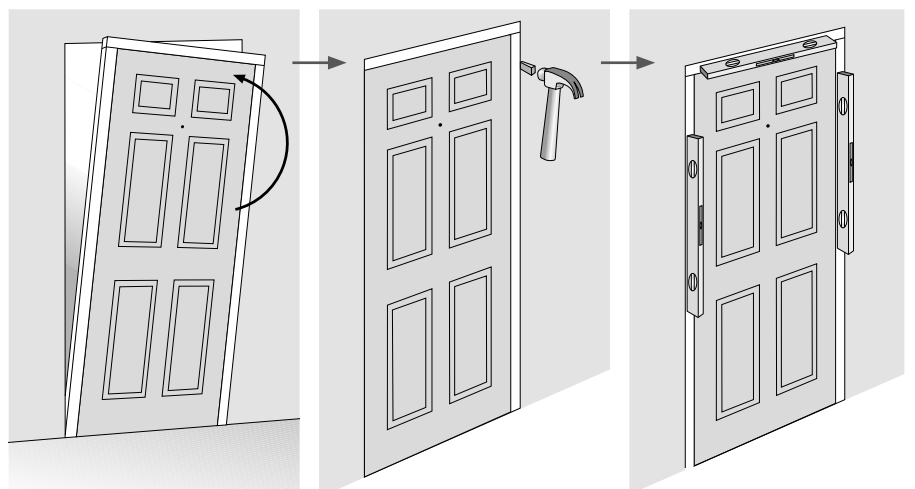
Tape measure, spirit level, screwdriver, drill and saw.

## PRE-INSTALL CHECK

- Measure the width and height of the opening. It should be a minimum of 10mm wider and 10mm higher than the overall doorset size.
- Before you start the fitting, ensure the floor is level. Unscrew the bottom brace and set the top light unit aside.

## INSTALLING THE DOORSET

1. Place the doorset into the structural opening, using packers as required to ensure the frame is level, plumb and square.
2. Carefully remove the weather strip from the jambs. Between the intumescent strip and fixed rebate, drill and countersink at least four holes spaced 100mm from the top and bottom of the jamb, with no more than 600mm centres between each fixing, avoiding the hinges and keep pockets.
3. Fix the hinge side jamb to the opening ensuring the screw penetrates the surrounding structure by at least 50mm, adjusting packers as required.
4. Repeat the process on the other side and fix the latch side jamb to the opening.
5. Ensure a 3-4 mm perimeter gap is maintained along the head and latch side jamb when the door is closed.



## INSTALLING THE TOP LIGHT AND HARDWARE

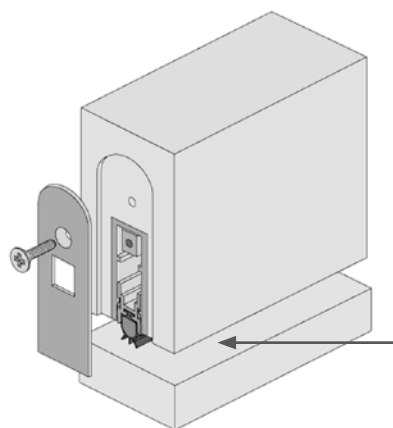
- Once the doorset is in place, bring across the toplight.
- Begin by removing all the security screws, then carefully remove the beads, intumescent packers and glass, and set aside.
- Position the toplight unit over the doorset, ensuring the jointing strip sits within the groove of the door frame head.
- Make sure the jambs align and the rebate is facing to the exterior.
- Temporarily clamp the doorset and toplight frame together.
- Drill holes through the doorset head and the toplight sill, 100mm from the corners and at 300mm centres, alternating the fixing direction between each location.
- Now drill holes around the jambs and head of the toplight, no more than 100mm from each corner and with maximum 300mm centres.
- Fix the top light jamb to the opening ensuring again the screw penetrates the surrounding structure by at least 50mm.
- Similarly, fix the top light head into the opening.
- Put the intumescent packers on the bottom edge of the toplight rebates, spaced 100mm from the corners.
- Carefully position the glass on top of the intumescent packers and ensure the glass is central and fully seated against the glazing rebate.
- Using the security screws, carefully refix the beads into place.
- Carefully replace the weather strip.
- Fit the handles, cylinder and security hardware.
- Activate the multi-point lock to check there is smooth engagement and the door is flush with the frame. Adjust the keeps and packers as required.
- Apply the linear gap sealing as per BS8214 Regulations or in-line with the certification document.

## INSTALL THE THRESHOLD

- Measure the distance between the jambs and cut the aluminium threshold to size.
- The LAS4015 threshold plate should be fitted with the flat edge against the jamb rebate. Alternatively, the LAS4002 threshold plate can be fitted in either direction.
- If fitting the LAS4015 threshold plate, remove the rubber cover strip. Then drill clearance holes through the threshold and screw to the floor.
- Replace the rubber cover strip, cutting the length if necessary.

## ADJUSTING THE DROP DOWN SEAL

- Finally, adjust the drop seal height as required by pulling out the black push rod and turning it around the thread. It should be in full contact with the threshold strip when the door is shut.



A 20mm gap is provided for contractor infill-max gap under fire door on completion of installation should not exceed 10mm.

## POST-INSTALLATION CHECK

Once the doorset has been securely fixed it should be checked for operation by opening and closing the door ensuring that it does not hit the frame at any point. It should be possible to secure the door by the latch with only a light pressure. The top and bottom compression bolts will be activated and engage when the lever handle is lifted. It should be possible to activate the centre deadbolt with the key. If the operation is not smooth then the fixings should be loosened and the frame adjusted re-secured and checked once more.

**IMPORTANT: Any gaps between the frame and the wall must be filled using rockwool or another inert material.**



For video instructions, scan the QR code