

MODA BAR INSTALLATION

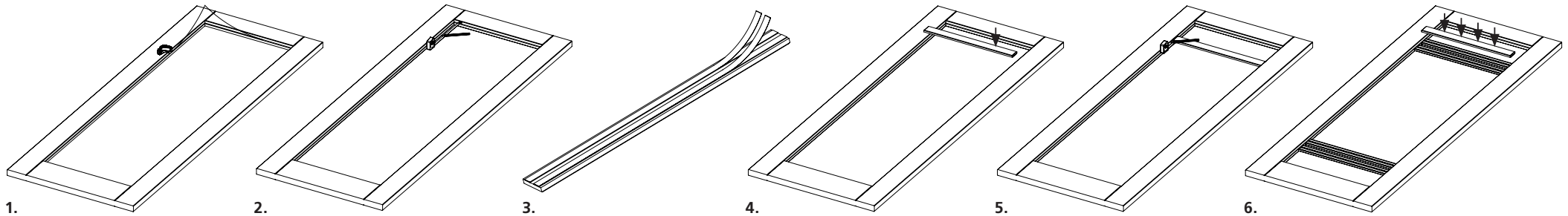
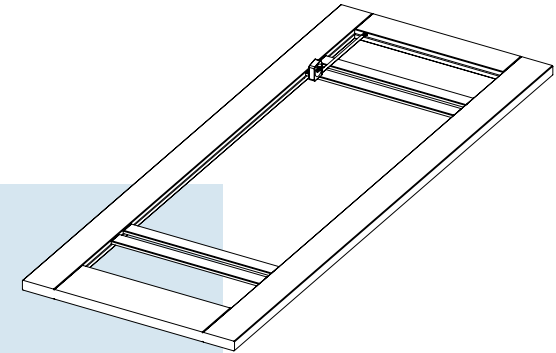
Please be aware that the adhesive tape used to secure the bars to the doors has been designed for long lasting hold, therefore please use caution during the installation of bars. Once the adhesive tape has made contact with any surface it will be very difficult to remove without damaging the tape, or the surface in which it has adhered to.

Bars can be installed before or after the door has been hung within the frame. This installation guide shows bars being installed prior to hanging.

We recommend that doors are painted prior to the installation of bars for ease of decoration. Ensure that the paint has fully cured in line with the paint manufacturers guidance before the installation of bars.

LAY OUT YOUR DESIGN FIRST

To help you choose your preferred style of MODA door, you may wish to dry lay up the bars in your chosen design BEFORE removing the backing tape. If you are designing your own style of MODA door, ensure to record the bar locations during the dry lay up stage, to recreate once you are ready to install the bars. MODA doors are supplied with 8 x bars, therefore when designing your own style please ensure that you account for the bars required on both sides of the door.



INSTRUCTIONS

1. Glazed Doors – Carefully score around the perimeter of the glass using a safety knife and peel away the paint and peel film. Clean any remaining adhesive residue from the glass using a damp cloth and dry fully.

Panel Doors – Ensure that the finished surface is fully cured and is free from any dust or debris.

2. Measure and mark the location of the first bar. Use a pencil to finely mark within the recess of both sides of the glass or panel and check that both measurements are equal to ensure the bar is installed level.
3. Remove the backing tape from the rear side of the first bar to be installed. Keep the adhesive tape free from debris and be careful not to make contact with any surfaces before installation.
4. Carefully line up the bar with the guide marks you have made on the recess of the door, ensuring that the bar is level to the mark on both sides.

Once the bar has been positioned, firmly push down along the length of the bar to ensure that the adhesive tape has securely bonded to the surface. Be careful not to use excessive force which could damage the glazed or panelled area.

5. **For designs encompassing more than 1 bar per side:** Once the first bar has been fixed, measure and mark the location of your next bar using this bar as a reference point. Repeat steps 3 and 4, ensuring that the newly applied bar is fully secured. Repeat these steps for all subsequent bars being fixed into position.
6. Once the first side of the door is complete, repeat these steps to adhere the bars to the reverse side. For glazed doors, use the bar locations pre adhered to side 1 as a location guide. To ensure that the bars line up correctly when viewing through the glazed panel, check that the bars to be positioned on the reverse side are level with the bars that have previously been installed before applying.

POPULAR DESIGN IDEAS

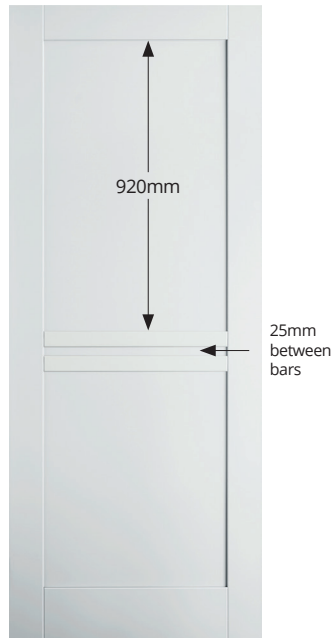
Looking for some inspiration?....

Simply follow one of these design guides to recreate a popular MODA design, or use these ideas to spark your own creativity!

Always remember to follow the MODA bar installation guide when installing bars to your MODA door.



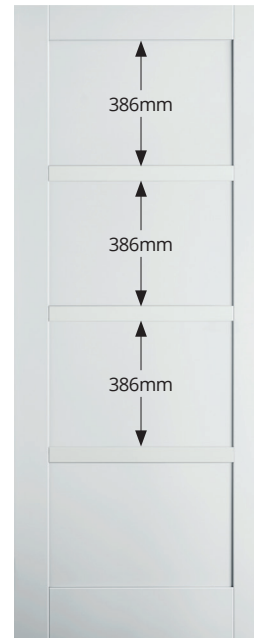
2 panel design



Twin bar 2 panel design



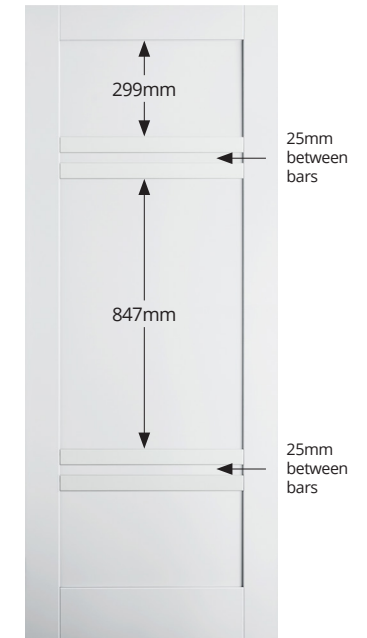
3 panel design



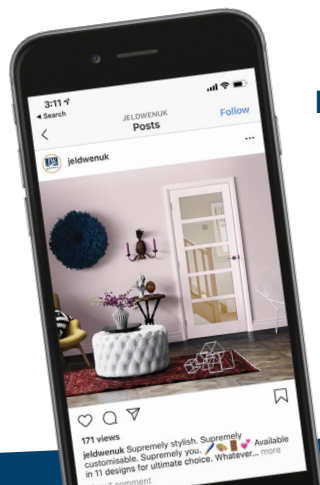
4 panel design



5 panel design



Twin bar 3 panel design



**Proud of your creation?
Share it with the world!**

Simply post your image on Instagram or Facebook and use the hashtag **#MyMODAMyWay** to inspire others